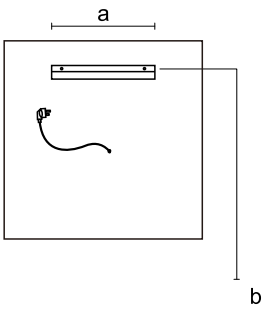
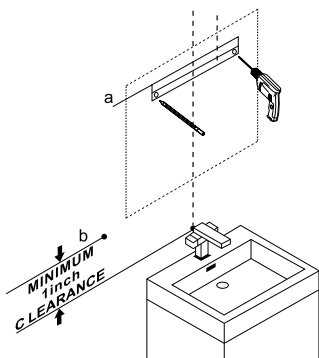
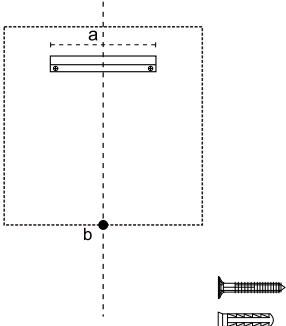
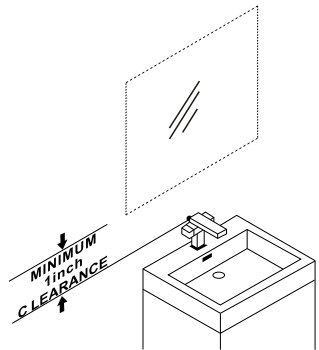

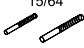




ELECTRIC CONNECTIONS

<p>1</p>  <p>This part of PF frame can be use as hanger.</p>	<p>2</p>  <p>a. Mark pre installation hole position on wall for mounting bracket. b. Use drill to make hole in wall.</p>		
<p>3</p>  <p>Screw mounting bracket to the wall.</p>	<p>4</p>  <p>a. Mark pre installation hole position on wall for mounting bracket. b. Use drill to make hole in wall.</p>		
<p>TOOLS REQUIRED</p>			
	<p>15/64"</p> 		
<p>DRILL</p>	<p>DRILL BITS</p>	<p>MEASURE TAPE</p>	<p>PENCIL</p>