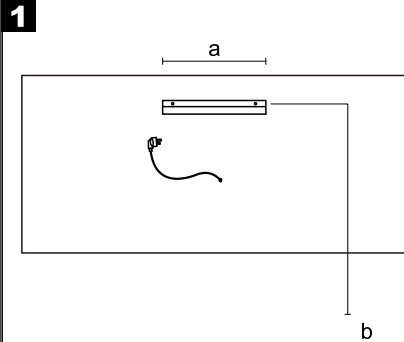


# BRA-A6030

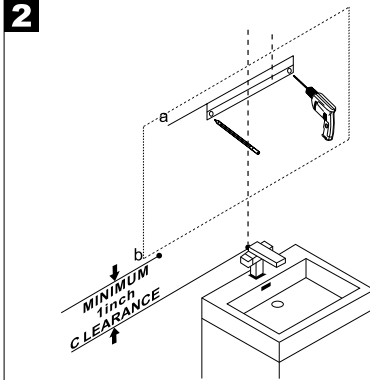
ALWAYS REFERENCE DIMENSIONS TO ENSURE ACCURACY

\*Not shown to scale.

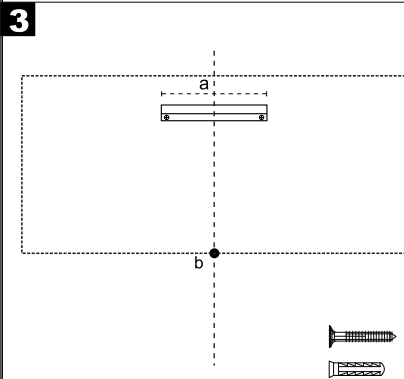
## ELECTRIC CONNECTIONS



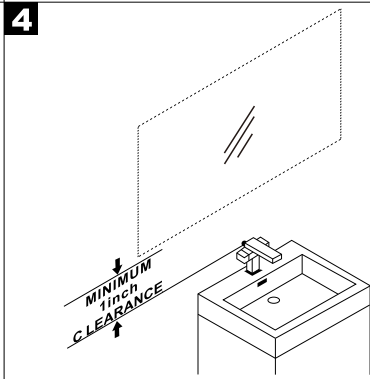
This part of PF frame can be use as hanger.



a. Mark pre installation hole position on wall for mounting bracket.  
b. Use drill to make hole in wall.



Screw mounting bracket to the wall.



a. Mark pre installation hole position on wall for mounting bracket.  
b. Use drill to make hole in wall.

## TOOLS REQUIRED



DRILL



DRILL BITS



MEASURE TAPE



PENCIL