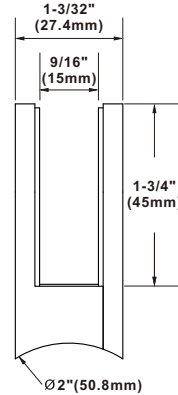
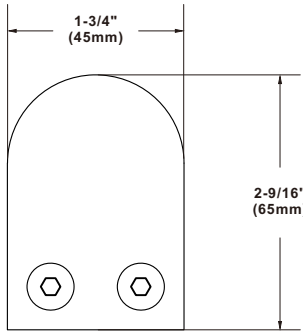
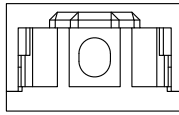


CRS15CP



*Not shown to scale.

COMMERCIAL-ROUND RADIUS BASE GLASS CLAMP



Specifications:

Base Type: Radius for 2" tubing posts
Width(in): 1-3/32"(27.4mm)
Glass Thickness(in): 1/2"(12mm)

Material: 316L
Height(in): 1-3/4"(45mm)
Depth(in): 1-3/4"(45mm)

Profile: Round
Length(in): 2-9/16"(65mm)

Product Overview:

- For 1/2"(12 mm) Glass.
- Use Monolithic Tempered Glass.
- A Versatile Option for Dividers, Mezzanine Floors, Wind Barriers, Railings, and Various Other Applications.
- Suitable for Use on Both Wood and Metal Curves.

Recommendations:

To ensure public safety, we strongly advise using only tempered safety glass.

UNIKOO LIMITED WARRANTY:

- UNIKOO warrants its commercial hardware for a period of 1 year from the date of purchase. UNIKOO commercial hardware is warranted against material and workmanship defects.
- All warranty claims are subject to inspection by UNIKOO before providing a resolution against the warranty claim.
- This warranty is void if it is determined after UNIKOO inspection that the Hardware has been improperly installed and/or maintained in a manner not conforming to UNIKOO guidelines and instructions provided at time of purchase.
- UNIKOO's responsibility to provide a resolution under said warranty will be limited to a refund of purchased price or provide a replacement for the hardware.
- The refund or replacement will constitute UNIKOO's limited liability and obligation for any and all defective material/workmanship for said warranty claim.
- THIS WARRANTY IS EXCLUSIVE AND UNIKOO MAKES NO OTHER WARRANTY, EXPRESSED OR IMPLIED.