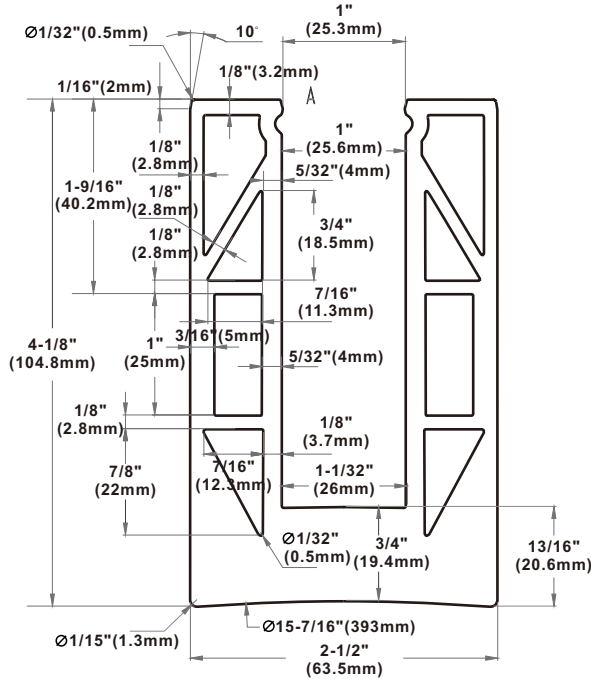
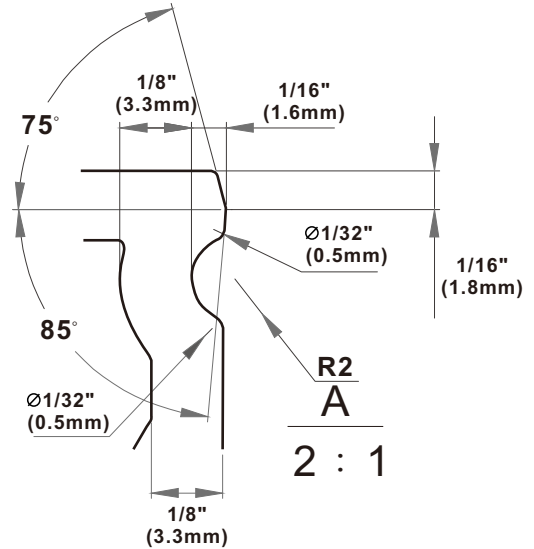


CBSAH120

IMPORTANT: Measure project dimensions starting from the glass edge.



*Not shown to scale.



Item Number	CBSAH120	Glass Thickness	1/2" (12mm)	Length	120" (3048mm)
-------------	----------	-----------------	-------------	--------	---------------

Heavy Duty Glaze Commercial Base Shoe 120" Length, Drilled For 1/2" Glass



UnikooGroup.com | info@unikooGroup.com

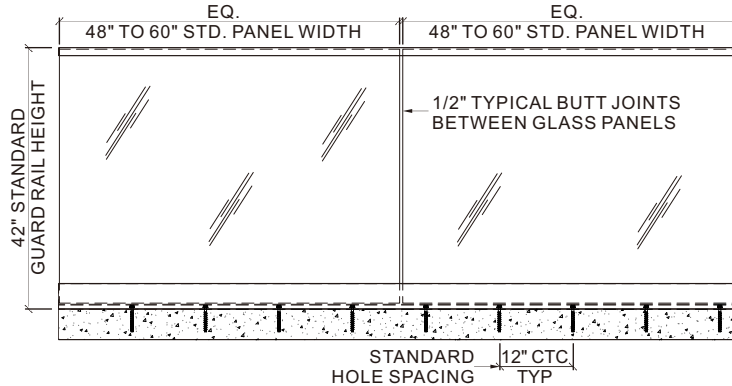
Unikoo Glass & Hardware. All Rights Reserved.

CBSAH120



ALWAYS REFERENCE DIMENSIONS
TO ENSURE ACCURACY

*Not shown to scale.



Specifications:

Glass Sizes: 1/2" (12mm) thick tempered safety glass

Construction: 6063-T5

Heavy duty wet glaze commercial base shoe drilled.

Recommendations:

To ensure public safety, we strongly advise using only tempered safety glass.

UNIKOO LIMITED WARRANTY:

- UNIKOO warrants its commercial hardware for a period of 1 year from the date of purchase. UNIKOO commercial hardware is warranted against material and workmanship defects.
- All warranty claims are subject to inspection by UNIKOO before providing a resolution against the warranty claim.
- This warranty is void if it is determined after UNIKOO inspection that the Hardware has been improperly installed and/or maintained in a manner not conforming to UNIKOO guidelines and instructions provided at time of purchase.
- UNIKOO's responsibility to provide a resolution under said warranty will be limited to a refund of purchased price or provide a replacement for the hardware.
- The refund or replacement will constitute UNIKOO's limited liability and obligation for any and all defective material/workmanship for said warranty claim.
- THIS WARRANTY IS EXCLUSIVE AND UNIKOO MAKES NO OTHER WARRANTY, EXPRESSED OR IMPLIED.