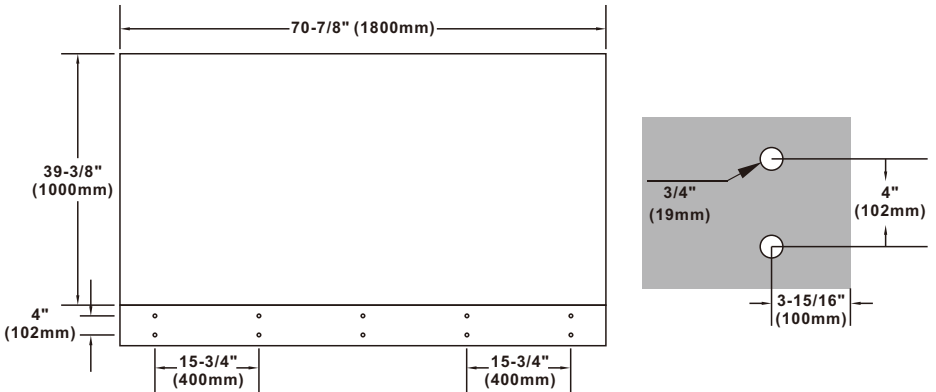
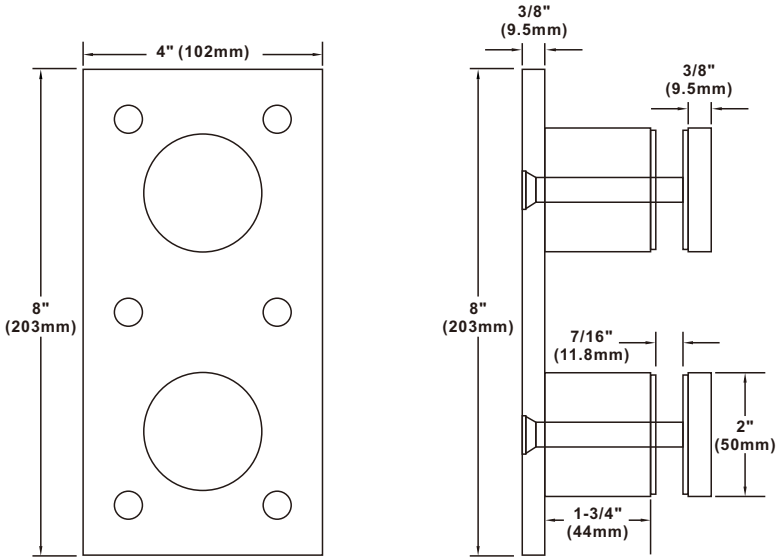


# CSS12CP

## 2" Glass Rail Standoff Fitting with Mounting Plate



Note: ★ 1000-1500 width glass need 3 pcs stand off.  
★ 1800 width glass need 5 pcs stand off.

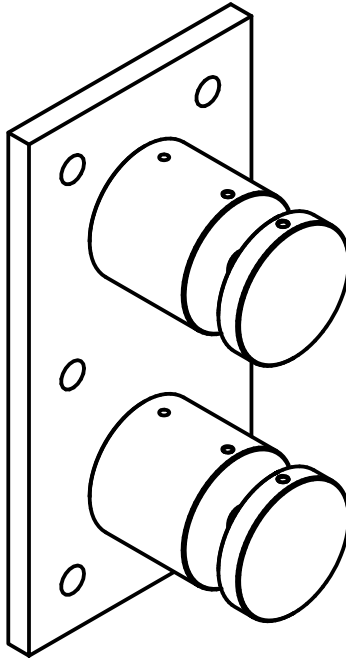
Item Number	Glass Thickness
CSS11CP / CSS12CP	1/2" (12mm) - 9/16" (15mm)

### IMPORTANT:

Measure project dimensions starting from the glass edge.



\*Not shown to scale.



\*Not shown to scale.

### Specifications:

**Glass Thickness:** 1/2" (12mm) to 9/16" (15mm) thick tempered safety glass  
**Includes:** Gaskets, screws, and template

**Construction:** 2205 Stainless Steel

### Recommendations:

To ensure public safety, we strongly advise using only tempered safety glass.

### UNIKOO LIMITED WARRANTY:

- UNIKOO warrants its commercial hardware for a period of 1 year from the date of purchase. UNIKOO commercial hardware is warranted against material and workmanship defects.
- All warranty claims are subject to inspection by UNIKOO before providing a resolution against the warranty claim.
- This warranty is void if it is determined after UNIKOO inspection that the Hardware has been improperly installed and/or maintained in a manner not conforming to UNIKOO guidelines and instructions provided at time of purchase.
- UNIKOO's responsibility to provide a resolution under said warranty will be limited to a refund of purchased price or provide a replacement for the hardware.
- The refund or replacement will constitute UNIKOO's limited liability and obligation for any and all defective material/workmanship for said warranty claim.
- THIS WARRANTY IS EXCLUSIVE AND UNIKOO MAKES NO OTHER WARRANTY, EXPRESSED OR IMPLIED.