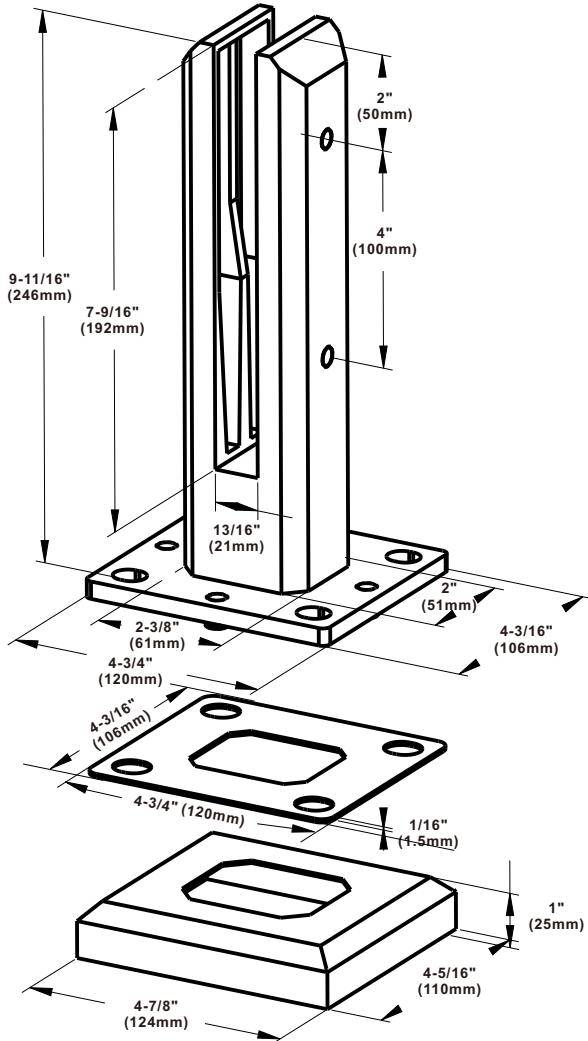


# CWS09CP

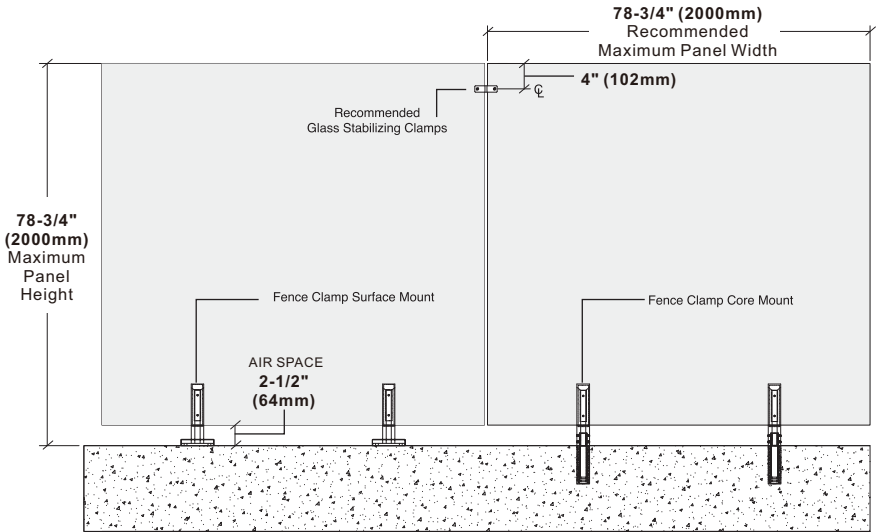
**IMPORTANT:** Measure project dimensions starting from the glass edge.



\*Not shown to scale.



Item Number	Glass size
CWS09CP	1/2" (12mm) - 9/16" (14mm)



**\*IMPORTANT:** Measure project dimensions starting from the glass edge.

**\*Not shown to scale.**

## Specifications:

**Includes:** Gaskets, screws, and template  
**Construction:** 2205 Stainless Steel

**Glass Sizes:** 1/2" (12mm) to 9/16" (14mm) thick tempered safety glass

## Maximum Glass Capacities for Two Post

**Maximum panel height:** 98-7/16"(2500mm) - 110-1/4"(2800mm)  
**Maximum panel width:** 98-7/16"(2500mm) - 118-1/8"(3000mm)

**Weight bearing capacity:** 1763 lbs. (800kg)  
**Side column force:** 882 lbs. (400kg)

## Recommendations:

To ensure public safety, we strongly advise using only tempered safety glass. Not for guardrail applications.

## UNIKOO LIMITED WARRANTY:

- UNIKOO warrants its commercial hardware for a period of 1 year from the date of purchase. UNIKOO commercial hardware is warranted against material and workmanship defects.
- All warranty claims are subject to inspection by UNIKOO before providing a resolution against the warranty claim.
- This warranty is void if it is determined after UNIKOO inspection that the Hardware has been improperly installed and/or maintained in a manner not conforming to UNIKOO guidelines and instructions provided at time of purchase.
- UNIKOO's responsibility to provide a resolution under said warranty will be limited to a refund of purchased price or provide a replacement for the hardware.
- The refund or replacement will constitute UNIKOO's limited liability and obligation for any and all defective material/workmanship for said warranty claim.
- THIS WARRANTY IS EXCLUSIVE AND UNIKOO MAKES NO OTHER WARRANTY, EXPRESSED OR IMPLIED.