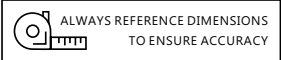
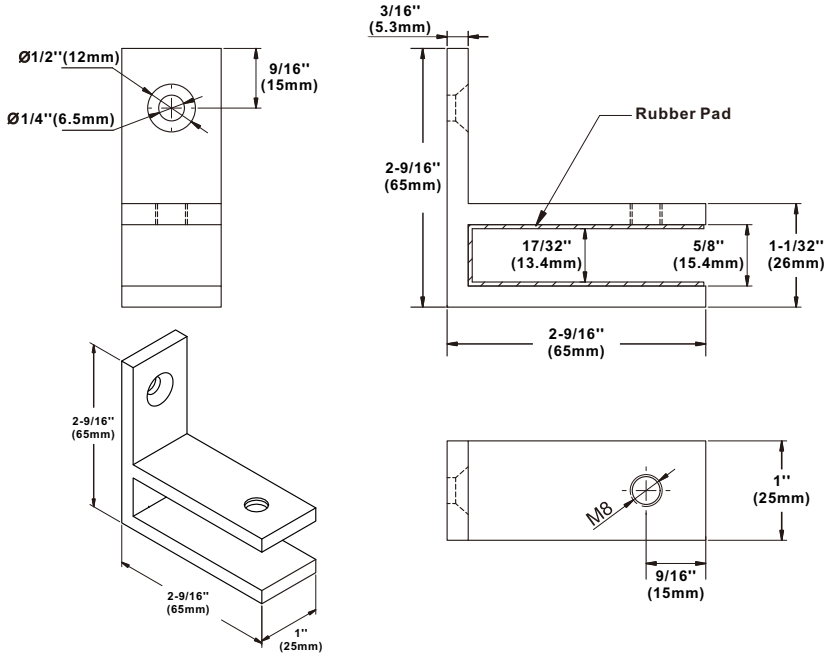


# CWS15CP



\*Not shown to scale.

## Commercial - wall Mount Glass Bracing Clamp



### Specifications

Glazing Thickness (in.): 5/16''(8mm) - 1/2''(12mm)

Material: 316 Stainless steel

Includes: Mounting screws, gaskets

### Product Overview:

- Wall mount glass bracing clamp.

### Recommendations:

To ensure public safety, we strongly advise using only tempered safety glass.

### UNIKOO LIMITED WARRANTY:

- UNIKOO warrants its commercial hardware for a period of 1 year from the date of purchase. UNIKOO commercial hardware is warranted against material and workmanship defects.
- All warranty claims are subject to inspection by UNIKOO before providing a resolution against the warranty claim.
- This warranty is void if it is determined after UNIKOO inspection that the Hardware has been improperly installed and/or maintained in a manner not conforming to UNIKOO guidelines and instructions provided at time of purchase.
- UNIKOO's responsibility to provide a resolution under said warranty will be limited to a refund of purchased price or provide a replacement for the hardware.
- The refund or replacement will constitute UNIKOO's limited liability and obligation for any and all defective material/workmanship for said warranty claim.
- THIS WARRANTY IS EXCLUSIVE AND UNIKOO MAKES NO OTHER WARRANTY, EXPRESSED OR IMPLIED.