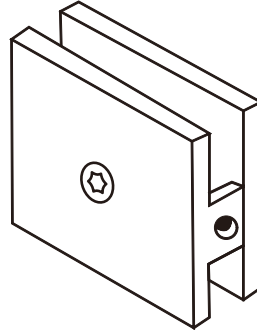
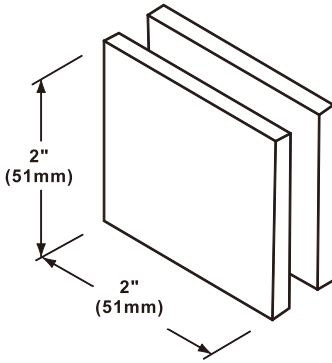


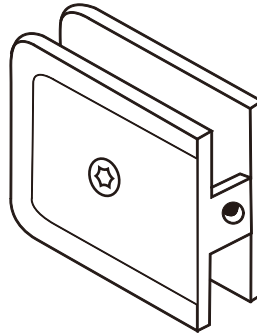
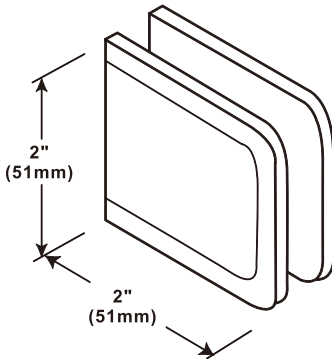
# GCS4

Square Hole-In-Glass Fixed Panel U-Clamp



# GCR4

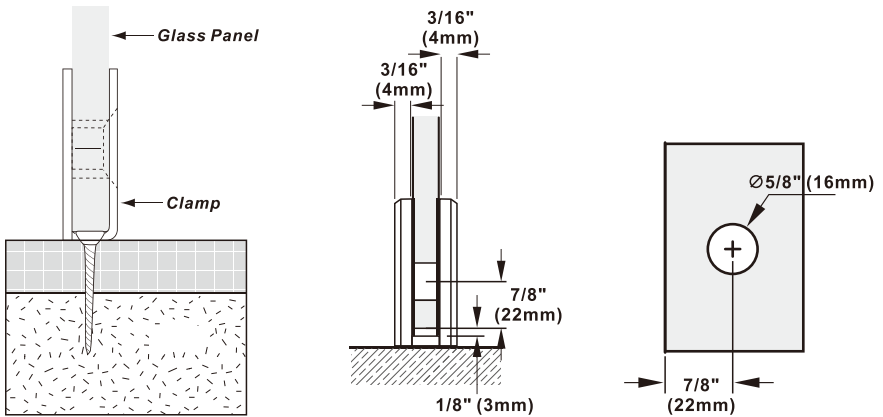
Beveled Hole-In-Glass Fixed Panel U-Clamp



\*Not shown to scale.

# GCS4 | GCR4

ITEM NO. GCS4 | GCR4



**\*IMPORTANT:** Measure project dimensions starting from the glass edge.

**\*Not shown to scale.**

## Specifications:

**Glass Sizes:** 3/8" (10mm) to 1/2" (12mm) thick tempered safety glass

**Construction:** Solid brass

**Includes:** Gaskets, screws, and template

**Hole Size Required:** 5/8" (16mm) or 3/4" (19mm)

## Maximum Door Capacities for One U-Clamp

**Maximum Door Weight (Not to exceed) :** 77 lbs. (35 kg)

## Recommendations:

To ensure public safety, we strongly advise using only tempered safety glass.

## Maintenance:

- Avoid the use of abrasive cleaners on the hardware. Some components feature a delicate clear lacquer coating that could suffer irreparable harm from harsh chemicals. It's recommended to inform your customers that daily maintenance involving drying the hardware with a clean, soft towel. In cases where mineral deposits accumulate, create a solution by adding a few drops of mild liquid soap (such as Ivory or a comparable product) to a cup of warm water. Employ a soft, non-abrasive cloth to clean the hardware, then ensure a thorough rinse with clean, warm water, followed by proper drying.

## UNIKOO LIMITED WARRANTY:

- UNIKOO warrants its Shower Door Hardware for a period of 3 years from the date of purchase. UNIKOO Shower Door Hardware is warranted against material and workmanship defects.
- All warranty claims are subject to inspection by UNIKOO before providing a resolution against the warranty claim.
- This warranty is void if it is determined after UNIKOO inspection that the Hardware has been improperly installed and/or maintained in a manner not conforming to UNIKOO guidelines and instructions provided at time of purchase.
- UNIKOO's responsibility to provide a resolution under said warranty will be limited to a refund of purchased price or provide a replacement for the hardware.
- The refund or replacement will constitute UNIKOO's limited liability and obligation for any and all defective material/workmanship for said warranty claim.
- THIS WARRANTY IS EXCLUSIVE AND UNIKOO MAKES NO OTHER WARRANTY, EXPRESSED OR IMPLIED.