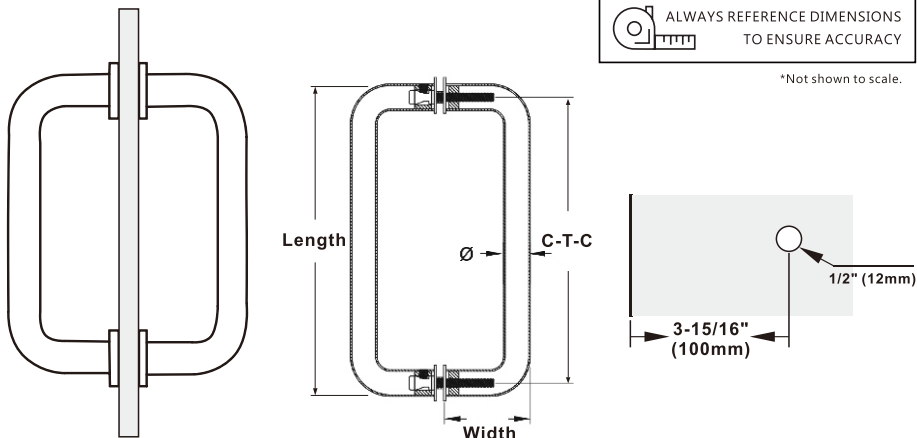


HBM Series Handle

Tubular Pull Handle with Metal Washers



*Not shown to scale.



Specifications

Construction: SUS 304

Glass Size: 1/4" (6mm) - 1/2" (12mm)

Hole Diameter: 1/2" (12mm)

Washers: 1-1/4" (32mm) Diameter

Item#	Length	C-T-C	Width	Ø
HBM6X6	6-3/4" (171mm)	6" (152mm)	2-3/8" (60mm)	3/4" (19mm)
HBM8X8	8-3/4" (222mm)	8" (203mm)	2-3/8" (60mm)	3/4" (19mm)
HBM18X18	18-3/4" (476mm)	18" (457mm)	2-3/8" (60mm)	3/4" (19mm)

Recommendations:

To ensure public safety, we strongly advise using only tempered safety glass.

Maintenance:

- Avoid the use of abrasive cleaners on the hardware. Some components feature a delicate clear lacquer coating that could suffer irreparable harm from harsh chemicals. It's recommended to inform your customers that daily maintenance involving drying the hardware with a clean, soft towel. In cases where mineral deposits accumulate, create a solution by adding a few drops of mild liquid soap (such as Ivory or a comparable product) to a cup of warm water. Employ a soft, non-abrasive cloth to clean the hardware, then ensure a thorough rinse with clean, warm water, followed by proper drying.

UNIKOO LIMITED WARRANTY:

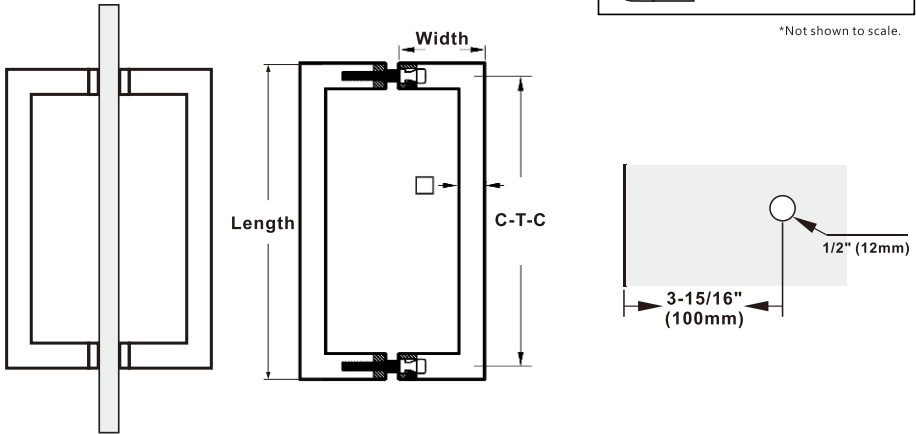
- UNIKOO warrants its Shower Door Hardware for a period of 3 years from the date of purchase. UNIKOO Shower Door Hardware is warranted against material and workmanship defects.
- All warranty claims are subject to inspection by UNIKOO before providing a resolution against the warranty claim.
- This warranty is void if it is determined after UNIKOO inspection that the Hardware has been improperly installed and/or maintained in a manner not conforming to UNIKOO guidelines and instructions provided at time of purchase.
- UNIKOO's responsibility to provide a resolution under said warranty will be limited to a refund of purchased price or provide a replacement for the hardware.
- The refund or replacement will constitute UNIKOO's limited liability and obligation for any and all defective material/workmanship for said warranty claim.
- THIS WARRANTY IS EXCLUSIVE AND UNIKOO MAKES NO OTHER WARRANTY, EXPRESSED OR IMPLIED.

HSQ Series Handle

Square Pull Handle



*Not shown to scale.



Specifications

Construction: SUS 304

Glass Size: 1/4" (6mm) - 1/2" (12mm)

Hole Diameter: 1/2" (12mm)

Item#	Length	C-T-C	Width	□
HSQ6X6	6-3/4" (171mm)	6" (152mm)	2-3/8" (60mm)	3/4"x3/4" (19x19mm)
HSQ8X8	8-3/4" (222mm)	8" (203mm)	2-3/8" (60mm)	3/4"x3/4" (19x19mm)

Recommendations:

To ensure public safety, we strongly advise using only tempered safety glass.

Maintenance:

- Avoid the use of abrasive cleaners on the hardware. Some components feature a delicate clear lacquer coating that could suffer irreparable harm from harsh chemicals. It's recommended to inform your customers that daily maintenance involving drying the hardware with a clean, soft towel. In cases where mineral deposits accumulate, create a solution by adding a few drops of mild liquid soap (such as Ivory or a comparable product) to a cup of warm water. Employ a soft, non-abrasive cloth to clean the hardware, then ensure a thorough rinse with clean, warm water, followed by proper drying.

UNIKOO LIMITED WARRANTY:

- UNIKOO warrants its Shower Door Hardware for a period of 3 years from the date of purchase. UNIKOO Shower Door Hardware is warranted against material and workmanship defects.
- All warranty claims are subject to inspection by UNIKOO before providing a resolution against the warranty claim.
- This warranty is void if it is determined after UNIKOO inspection that the Hardware has been improperly installed and/or maintained in a manner not conforming to UNIKOO guidelines and instructions provided at time of purchase.
- UNIKOO's responsibility to provide a resolution under said warranty will be limited to a refund of purchased price or provide a replacement for the hardware.
- The refund or replacement will constitute UNIKOO's limited liability and obligation for any and all defective material/workmanship for said warranty claim.
- THIS WARRANTY IS EXCLUSIVE AND UNIKOO MAKES NO OTHER WARRANTY, EXPRESSED OR IMPLIED.