

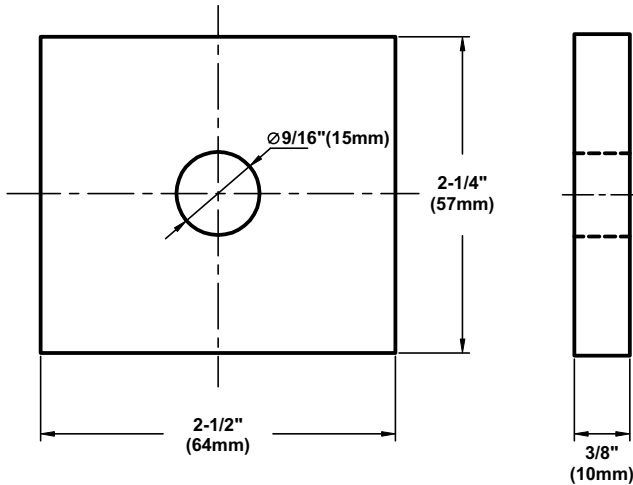
# CBSDB01



ALWAYS REFERENCE DIMENSIONS  
TO ENSURE ACCURACY

\*Not shown to scale.

Aluminum Base Shoe Drain Block 2-1/2 in. (64 mm)x2-3/4 in. (70 mm).



## Specifications

**Length(in):** 2-1/4"(57mm)

**Width(in):** 2-1/2"(64mm)

**Height(in):** 3/8"(10mm)

**Material:** Extruded Aluminum

**Finish/Color:** Satin Anodized

**Pack Quantity:** 10

## Product Overview:

- Placed under base shoe to provide drainage space.
- Great for balconies and decks.
- Clear anodized finish.

## Recommendations:

Can be used with both dry glaze and wet glaze base shoe.

## UNIKOO LIMITED WARRANTY:

- UNIKOO warrants its commercial hardware for a period of 1 year from the date of purchase. UNIKOO commercial hardware is warranted against material and workmanship defects.
- All warranty claims are subject to inspection by UNIKOO before providing a resolution against the warranty claim.
- This warranty is void if it is determined after UNIKOO inspection that the Hardware has been improperly installed and/or maintained in a manner not conforming to UNIKOO guidelines and instructions provided at time of purchase.
- UNIKOO's responsibility to provide a resolution under said warranty will be limited to a refund of purchased price or provide a replacement for the hardware.
- The refund or replacement will constitute UNIKOO's limited liability and obligation for any and all defective material/workmanship for said warranty claim.
- THIS WARRANTY IS EXCLUSIVE AND UNIKOO MAKES NO OTHER WARRANTY, EXPRESSED OR IMPLIED.