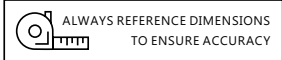
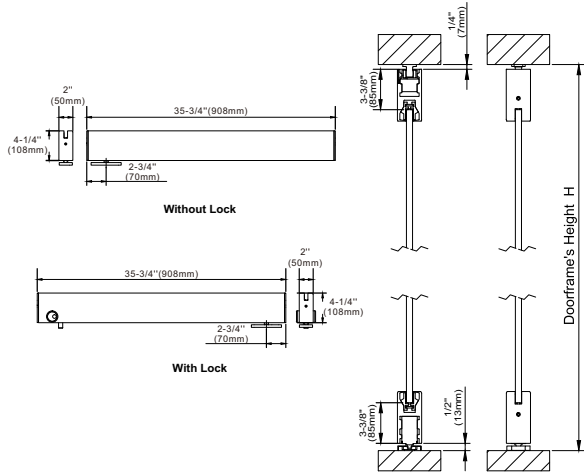
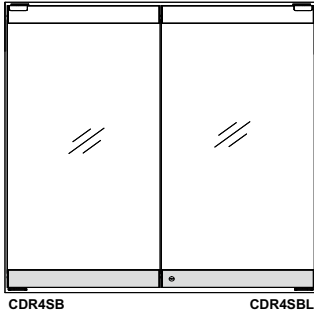


CDR4SB /CDR4SBL



*Not shown to scale.

3/8"-1/2" Glass 4" Square Door Rail , with bottom base plate



Specifications

Length (in.): 35-3/4"(908mm)	Height (in.): 4-1/4"(108mm)	Width (in.): 2"(50mm)
Material: Aluminum	Profile: Square	
Glazing Thickness (in.): 3/8"(10 mm)~ 1/2"(13 mm)	Maximum Weight Capacity Per Panel: 220.5 lbs.(100kg)	
Finish: MBL,SA No cladding		
Includes lock: keyed lock - SDR4SBC , thumbturn - SDR4SBT		

Recommendations:

- To ensure public safety, we strongly advise using only tempered safety glass.
- The low profile of the adjustable slider allows the slotted pivot to move beyond the American standard return of 2-3/4 inches (69.8 mm).
- Pre-installed with high quality concealed floor spring closer for easy installation.

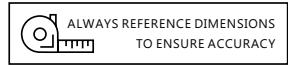
Maintenance:

- Avoid the use of abrasive cleaners on the hardware. Some components feature a delicate clear lacquer coating that could suffer irreparable harm from harsh chemicals. It's recommended to inform your customers that daily maintenance involving drying the hardware with a clean, soft towel. In cases where mineral deposits accumulate, create a solution by adding a few drops of mild liquid soap (such as Ivory or a comparable product) to a cup of warm water. Employ a soft, non-abrasive cloth to clean the hardware, then ensure a thorough rinse with clean, warm water, followed by proper drying.

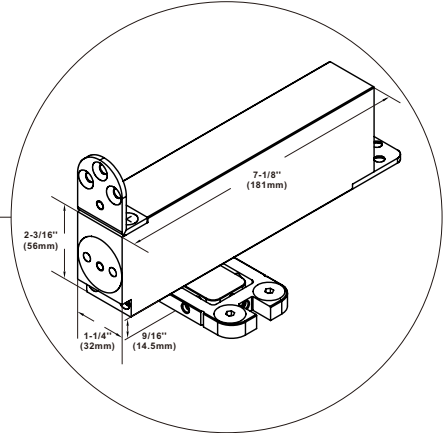
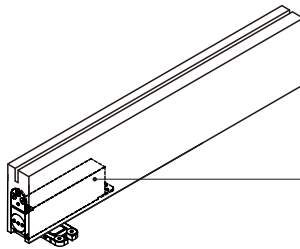
UNIKOO LIMITED WARRANTY:

- 1year limited warranty from date of purchase.
- All warranty claims are subject to inspection by UNIKOO before providing a resolution against the warranty claim.
- This warranty is void if it is determined after UNIKOO inspection that the Hardware has been improperly installed and/or maintained in a manner not conforming to UNIKOO guidelines and instructions provided at time of purchase.
- UNIKOO's responsibility to provide a resolution under said warranty will be limited to a refund of purchased price or provide a replacement for the hardware.
- The refund or replacement will constitute UNIKOO's limited liability and obligation for any and all defective material/workmanship for said warranty claim.
- THIS WARRANTY IS EXCLUSIVE AND UNIKOO MAKES NO OTHER WARRANTY, EXPRESSED OR IMPLIED.

INTER CONCEALED FLOOR PATCH / HINGE WITH BASE PLATE



*Not shown to scale.

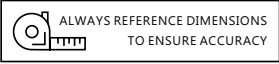


DATA AND FEATURES:

Variable closing force	Spring strength(EN)	#3
Standard doors	$\leq 33\text{-}1/2" \leq 220.5\text{lbs}$	893
	$\leq 37\text{-}3/8" \leq 220.5\text{lbs}$	893
	$\leq 43\text{-}5/16" \leq 220.5\text{lbs}$	-
	$\leq 49\text{-}3/16" \leq 220.5\text{lbs}$	-
Suitable door thickness(in)		$\geq 1\text{-}9/16"$
Body dimensions(in)	Length	7-1/8"
	Width	2-3/16"
	Thick	1-1/4"
Angle of opening		150°
Closing speed adjustable		√
Braking speed adjustable		√
Hold-open	Without hold open	O
	Hold open at 90°	√
Non-handed		√
Guarantee/years		5 years

√=yes x=no O=option

CDR4SB /CDR4SBL



*Not shown to scale.

3/8"-1/2" Glass 4" Square Door Rail , with bottom base plate

BOTTOM RAIL INSTALLATION

<p>1</p>	<p>Glass door dimension</p>	<p>2 Ground drilling</p>
<p>3 Mount screws(Base plate)</p>	<p>4 Mount base plate</p>	<p>5 Install Glass door 1</p>
<p>6 Install Glass door 2</p>	<p>7 Install Glass door 3</p>	<p>8 Adjust HYD patch</p>
<p>9 Door adjustment</p>	<p>10</p>	<p>Slot type Screwdriver</p>